

Aggregate Concrete Blocks A Guide to Movement Control

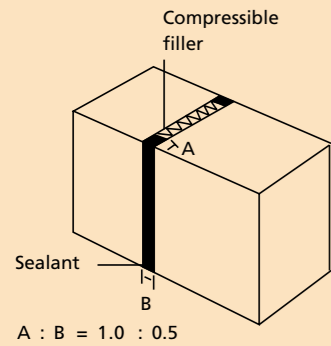


Fig. 11

Joints

Joints should normally be 10mm wide and filled with a compressible filler such as a 13mm polyethylene foam strip, with a bond breaker and finished with a suitable sealant, such as a 2 part polysulphide when used externally (see Figure 11). Where masonry has an applied finish such as render/plaster or tiling, the joint should be continuous through the finishes (see Figure 12). Where the movement control joint is bridged by flat ties to improve lateral stability, one end should be debonded by the use of a PVC sleeve. Consideration should be given to the effects of fire, sound and stability when introducing a movement control joint.

Deflection

It is important that any deflection from a floor or a roof is not transmitted to a non-loadbearing wall. If the anticipated deflection is not excessive, the joint may be packed with a compressible filler, such as mineral wool or a fire resistant foam (see Figure 13). This joint can be hidden from view by fixing a coving which should be fixed to the soffit only.

General

Shrinkage of blockwork can be minimised by laying dry blocks and by protecting the work as it proceeds.

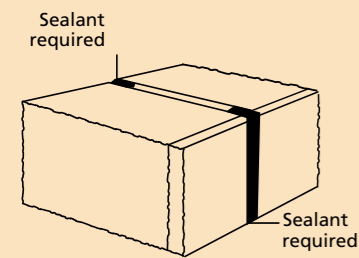


Fig. 12

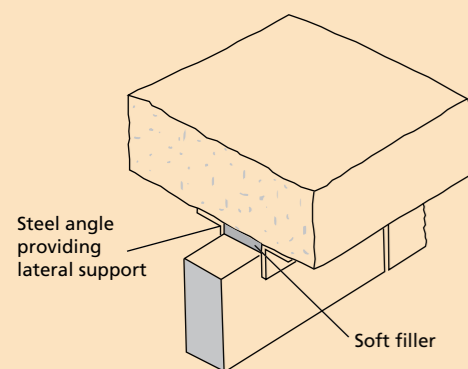


Fig. 13

Introduction

After construction, buildings, especially the more modern slender constructions, are subject to small dimensional changes. The main movement in concrete masonry as it dries to equilibrium moisture content and the concrete carbonates is shrinkage. This data sheet gives guidance on how to accommodate such movements based on the rule of thumb below.

Typical movement joint spacing for unreinforced concrete masonry panels:

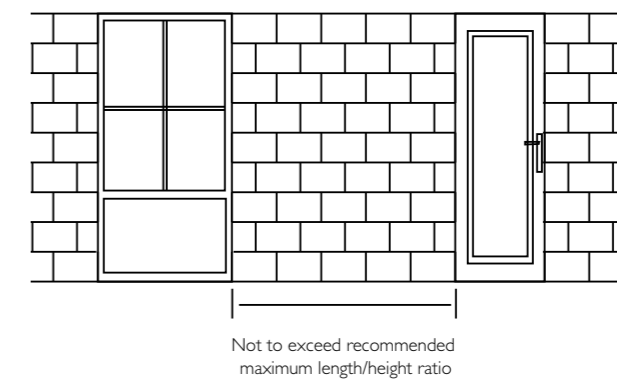
- Internal: 8 to 12m
- External: 6 to 9m

Factors influencing spacing of joints are: mortar type/strength, (note: the weaker the mix, the increased ability to accommodate movement); use of bedjoint reinforcement and moisture content of blocks when laid.

Where possible, masonry should be designed as a series of panels, separated by movement control joints.

Panels

Ideally panels should be square, but generally length should not exceed 3 x height of the panel, except where bedjoint reinforcement is introduced. Care therefore has to be taken when introducing wide window openings as the blockwork immediately above and below may exceed the 3 to 1 length/height ratio. Where possible storey height openings should be designed, forming the masonry into discrete panels without interfering with the overall design aspect. (See below).



To receive other data sheets in this series, a list of CBA members or for further information please visit our website at www.cba-blocks.org.uk
CBA Technical Helpline 0116 222 1507

© The Concrete Block Association 2007

Although The Concrete Block Association does its best to ensure that any advice, recommendation or information it may give is accurate, no liability or responsibility of any kind (including liability for negligence) is accepted in this respect by the Association, its servants or agents.

This datasheet is manufactured from ECF (Elemental Chlorine Free) pulp sourced from certified or well managed forests and plantations. It is totally recyclable, biodegradable and acid-free.



Concrete Block Association
 60 Charles Street, Leicester LE1 1FB
 Tel: 0116 253 6161 Fax: 0116 251 4568
 Email: enquiries@cba-blocks.org.uk

Website: www.cba-blocks.org.uk

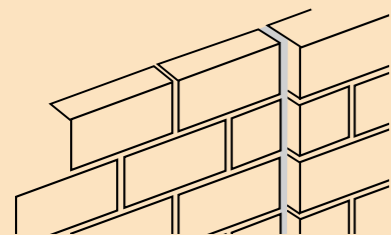


Fig. 1

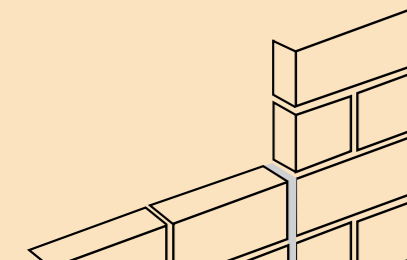


Fig. 2

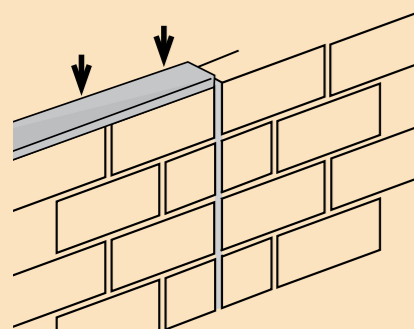


Fig. 3

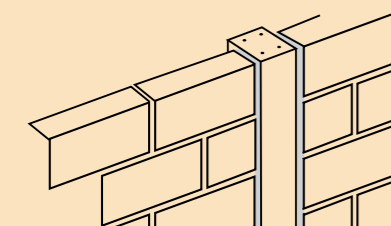


Fig. 4

Position of Movement Joints

Consideration for the location of movement joints should be given at:

- Change in wall height or thickness (See Figure 1 & Figure 2)
- Change of loading (See Figure 3)
- Abutments of walls and columns (See Figure 4)
- Junctions of dissimilar materials (See Figure 5)
- Movement joints in concrete floor slabs (See Figure 6)
- Return angles in L, T and U shaped masonry panels (See Figure 7)
- Chases, recesses or openings (See Figure 8)

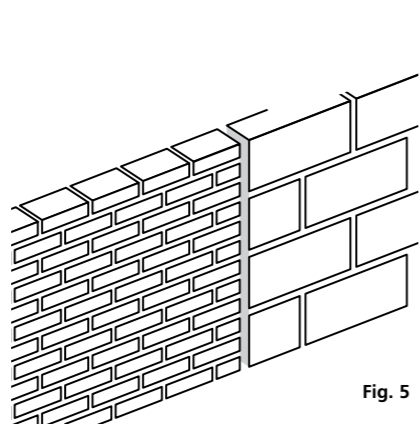


Fig. 5

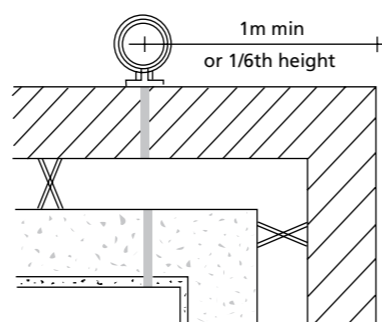


Fig. 7

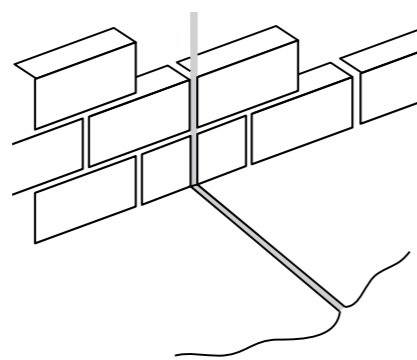


Fig. 6

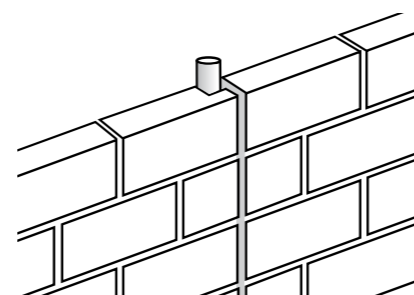


Fig. 8

Bedjoint Reinforcement

The inclusion of ladder type bedjoint reinforcement is recommended in two courses, one above and one below openings, to dissipate the extra stresses created around openings. (See Figure 9 & Figure 10).

Bedjoint reinforcement can also be used to reduce the incidence of movement joints as well as improving the lateral stability of masonry walls. (See Table 1).

Note: Bedjoint reinforcement should never bridge a movement control joint.

Due to the variations in physical properties between different concrete blocks, the manufacturer should be consulted for more specific guidance.

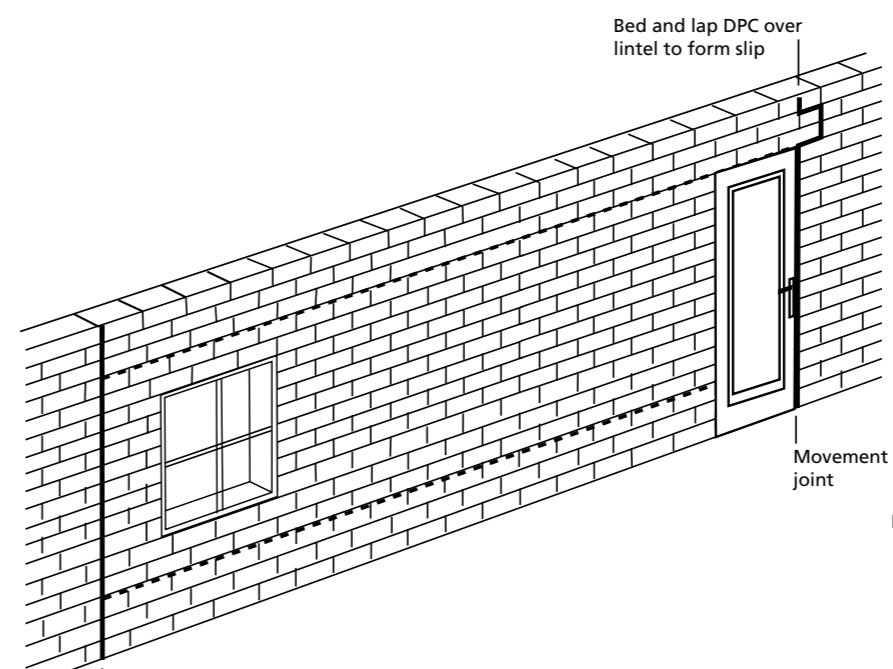


Fig. 9

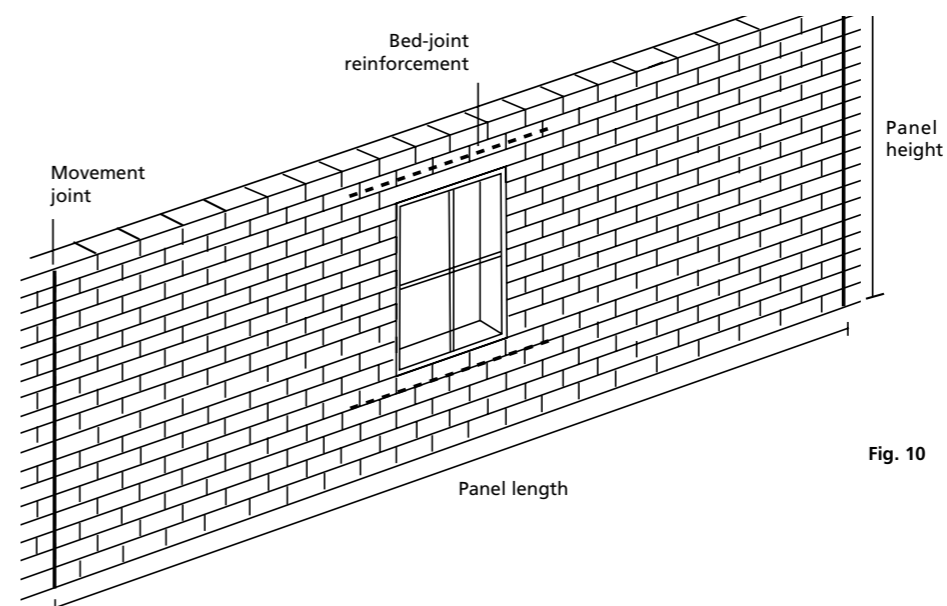


Fig. 10

TYPICAL SPACING OF MOVEMENT JOINTS

Un-reinforced blockwork	9m
Reinforced at 675mm vertical centres	12m
Reinforced at 450mm vertical centres	14m
Reinforced at 225mm vertical centres	16m

Table 1